

SPARE PARTS LIST

MODEL NO. BLS713

ITEM	PART NO.	DESCRIPTION	QTY	NOTE
001	188961-5	HANDLE SET INC. 21	1	
002	417113-4	SWITCH BUTTON	1	
003	911268-2	PAN HEAD SCREW M5X45	3	
004	265995-6	TAPPING SCREW 4X18	5	
005	231026-3	COMPRESSION SPRING 4	1	
006	416533-9	LOCK OFF LEVER	1	
007	256123-4	PIN 5	1	
008	643859-8	TERMINAL	1	
009	651956-6	SWITCH TG72BD	1	
010	452130-7	SWITCH LEVER	1	
011	265995-6	TAPPING SCREW 4X18	2	
012	416639-3	REAR COVER	1	
013	868774-7	BLS713 NAME PLATE	1	
014	643864-5	BRUSH HOLDER	1	
015	643863-7	BRUSH HOLDER	1	
016	194435-6	CARBON BRUSH CB-441	1	
017	643941-3	BRUSH HOLDER CAP	2	
018	416909-0	MOTOR HOUSING	1	
019	266209-6	TAPPING SCREW 4X60	2	
020	911268-2	PAN HEAD SCREW M5X45	3	
021	188961-5	HANDLE SET INC. 1	1	
022	210023-2	BALL BEARING 627DDW	1	
023	632828-4	YOKE UNIT	1	
024	416907-4	BAFFLE PLATE	1	
025	519269-0	ARMATURE ASS'Y 18V INC. 22,28,197	1	
026	344681-3	SHAFT LOCK	1	
027	233092-6	COMPRESSION SPRING 5	1	
028	211088-7	BALL BEARING 6000DDW	1	
029	631999-4	CONTROLLER	1	
030	922331-6	HEX. SOCKET HEAD BOLT M6X20	1	
031	253804-1	FLAT WASHER 6	1	
032	257163-5	RING 6	1	
033	154643-1	LINK PLATE COMPLETE	1	
034	257163-5	RING 6	1	
035	346330-8	LINK COVER	1	
036	961018-5	STOP RING E-5	1	
037	421626-9	GUARD	1	
038	165414-1	GUARD PLATE COMPLETE	1	
039	911113-1	PAN HEAD SCREW M4X10	1	
040	213460-9	O RING 35	1	
041	419277-0	DUST NOZZLE	1	
042	*****	*****	***	*****
043	262001-8	URETHANE RING 5	1	
044	265717-4	SCREW M6X43	1	
045	266026-4	TAPPING SCREW BIND CT 4X12	1	
046	140607-1	BLADE CASE COMPLETE	1	
048	211021-9	BALL BEARING 607LLB	1	
049	961052-5	RETAINING RING S-12	1	
050	253813-0	FLAT WASHER 12	1	
051	226512-7	HELICAL GEAR 60	1	
052	257011-8	RING 12	1	
053	213623-7	O RING 46	1	
054	317193-9	BEARING BOX	1	
055	211129-9	BALL BEARING 6201DDW	1	
056	323798-5	SPINDLE	1	
057	285736-4	BEARING RETAINER 58	1	
058	*****	*****	***	*****
059	911223-4	PAN HEAD SCREW M5X16	2	

SPARE PARTS LIST

MODEL NO. BLS713

ITEM	PART NO.	DESCRIPTION	QTY	NOTE
060	*****	*****	***	*****
061	*****	*****	***	*****
062	345585-2	CENTER PLATE	1	
063	346232-8	CENTER COVER	1	
064	265985-9	HEX.SOCKET HEAD BOLT M6	1	
065	*****	*****	***	*****
066	345589-4	CENTER WASHER	1	
067	231934-8	SPIRAL SPRING 26	1	
068	*****	*****	***	*****
069	267136-0	FLAT WASHER 5	1	
070	911228-4	PAN HEAD SCREW M5X18	1	
080	324455-8	LOCK PIN	1	
081	452134-9	ROD HOLDER	1	
082	266034-5	TAPPING SCREW CT 4X16	2	
083	231316-4	COMPRESSION SPRING 7	1	
084	325980-2	ROD 8	1	
085	421589-9	CAP	1	
086	346320-1	LOCK LEVER	1	
087	911113-1	PAN HEAD SCREW M4X10	2	
088	346322-7	LOCK PLATE	1	
089	911113-1	PAN HEAD SCREW M4X10	2	
090	911114-9	PAN HEAD SCREW M4X10	1	
091	231690-0	TORSION SPRING 8	1	
092	*****	*****	***	*****
093	911113-1	PAN HEAD SCREW M4X10	2	
094	346321-9	SUB LEVER	1	
095	253215-0	FLAT WASHER 8	1	
113	231325-3	COMPRESSION SPRING 6	1	
114	318655-0	GUIDE FENCE	1	
115	*****	*****	***	*****
116	251887-5	SCREW M6X10	1	
117	416535-5	SLEEVE 17	1	
118	231638-2	TORSION SPRING 28	1	
119	416535-5	SLEEVE 17	1	
120	265790-4	THUMB SCREW M6X28	1	
121	231325-3	COMPRESSION SPRING 6	1	
122	257214-4	RING 26	1	
123	318651-8	PIPE HOLDER	1	
124	266208-8	H.S.SET SCREW(CUP POINT)M6X8	2	
127	*****	*****	***	*****
128	266026-4	TAPPING SCREW BIND CT 4X12	1	
129	911113-1	PAN HEAD SCREW M4X10	1	
130	416006-2	LEVER 100	1	
131	913106-4	SET SCREW M4X8	1	
132	252144-4	HEX. NUT M10-17	1	
133	231266-3	COMPRESSION SPRING 5	1	
134	253024-7	FLAT WASHER 10	1	
135	286236-7	CAP 16	1	
136	140609-7	ARM COMPLETE	1	
137	324295-4	RELEASE PIN	1	
138	*****	*****	***	*****
139	345299-3	STOPPER PLATE	1	
140	253726-5	FLAT WASHER 6	1	
141	231663-3	TORSION SPRING 8	1	
142	265113-6	+PAN HEAD SCREW M5	1	
143	343678-9	POINTER	1	
144	266026-4	TAPPING SCREW BIND CT 4X12	1	
145	140608-9	FRONT ARM COMPLETE	1	
146	344643-1	STOPPER ARM	1	
147	253948-7	WAVE WASHER 8	1	
148	253835-0	FLAT WASHER 8	1	

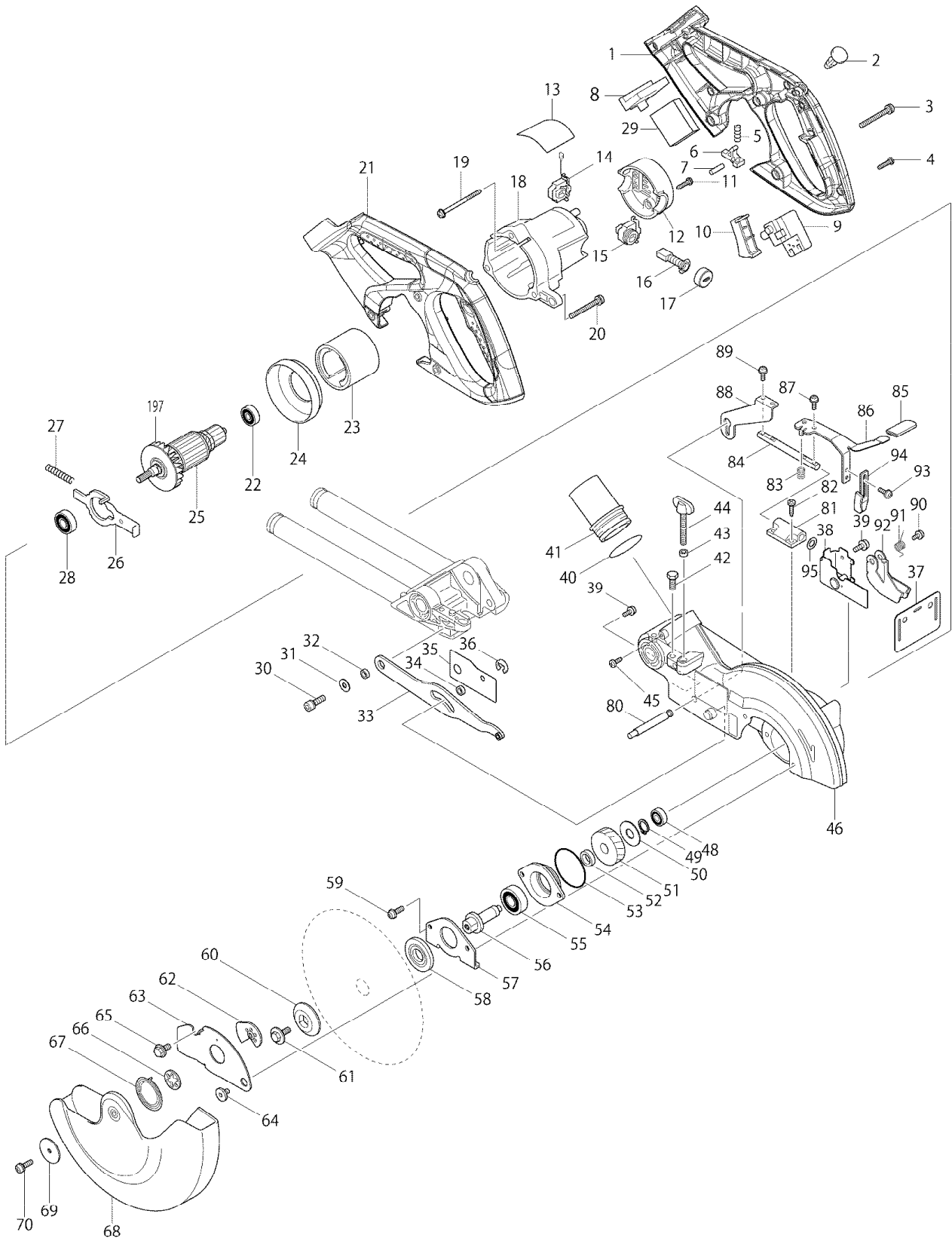
SPARE PARTS LIST

MODEL NO. BLS713

ITEM	PART NO.	DESCRIPTION	QTY	NOTE
149	251267-5	+ PAN HEAD SCREW M6	1	
150	251961-9	H.S.SET SCREW(FLAT POINT)M6X10	1	
151	251961-9	H.S.SET SCREW(FLAT POINT)M6X10	1	
152	271601-3	KNOB 20	1	
153	213021-5	O RING 5	1	
154	324183-5	STOPPER PIN	1	
155	*****	*****	***	*****
156	140610-2	ARM HOLDER COMPLETE	1	
157	256123-4	PIN 5	1	
158	266320-4	SCREW M10	1	
159	253024-7	FLAT WASHER 10	1	
160	216413-7	THRUST NEEDLE CAGE 1024	1	
161	253024-7	FLAT WASHER 10	1	
162	252130-5	HEX. LOCK NUT M10-17	1	
163	257214-4	RING 26	1	
164	265790-4	THUMB SCREW M6X28	1	
165	252105-4	HEX. LOCK NUT M8-13	1	
166	253731-2	FLAT WASHER 8	1	
167	416355-7	INDICATION PLATE	1	
168	266026-4	TAPPING SCREW BIND CT 4X12	1	
169	266026-4	TAPPING SCREW BIND CT 4X12	2	
170	266026-4	TAPPING SCREW BIND CT 4X12	2	
171	419103-3	KERF BOARD	1	
172	419103-3	KERF BOARD	1	
173	140614-4	TURN BASE COMPLETE	1	
174	922111-0	HEX. SOCKET HEAD BOLT M4X10	1	
175	153580-6	SQUARE ROD COMPLETE	1	
176	925251-3	HEX.BOLT M5X30	2	
177	266034-5	TAPPING SCREW CT 4X16	2	
178	344601-7	LOCK PLATE	1	
179	317616-7	PIN HOLDER	1	
180	256158-5	PIN 3	1	
181	324288-1	LOCK PIN	1	
182	231325-3	COMPRESSION SPRING 6	1	
183	324289-9	ROD 6	1	
184	416450-3	LOCK LEVER	1	
185	345272-3	LOCK LEVER PLATE	1	
186	266034-5	TAPPING SCREW CT 4X16	2	
187	231418-6	COMPRESSION SPRING 9	1	
188	253731-2	FLAT WASHER 8	1	
189	266432-3	ADJUST BOLT M8X27	1	
190	273658-0	GRIP 32	1	
191	286212-1	CAP 20	5	
192	921472-5	HEX. BOLT M8X50	1	
193	251887-5	SCREW M6X10	2	
194	140612-8	BASE COMPLETE	1	
195	344646-5	SLIDE PLATE	1	
196	344646-5	SLIDE PLATE	1	
197	241873-4	FAN 55	1	
A01	122571-8	VICE ASS'Y	1	
A02	122852-0	DUST BAG ASS'Y	1	
A03	762001-3	TRIANGULAR RULE	1	
A04	322312-4	HOLDER	2	
A05	*****	*****	***	*****
A06	A-86147	T.C.T.SAW BLADE 190X20X40T	1	
A07	*****	*****	***	*****
A08	194204-5	BATTERY BL1830 SET	2	
A09	450128-8	BATTERY COVER	1	

SERVICE DRAWING

MODEL NO. BLS713



SERVICE DRAWING

MODEL NO. BLS713

